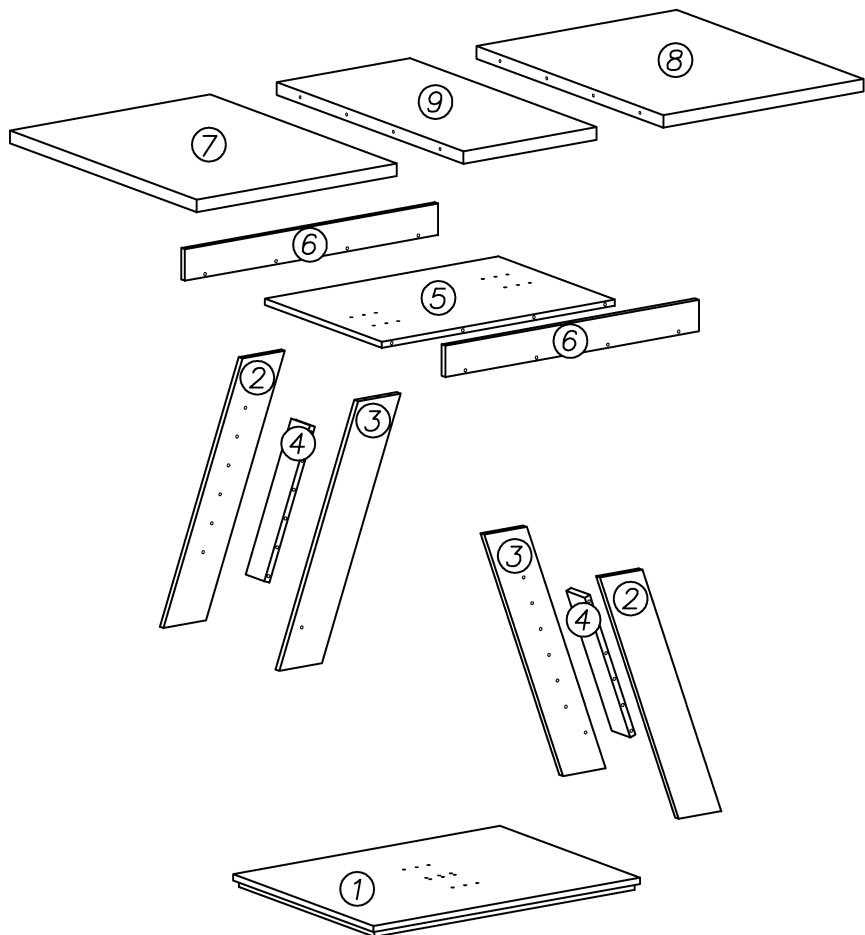
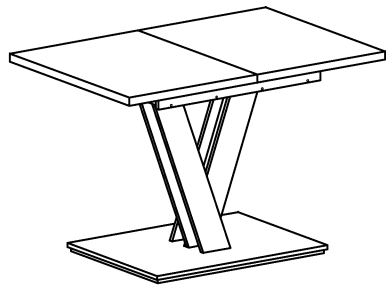


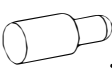
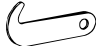







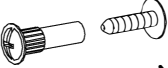
STÓŁ MASIW

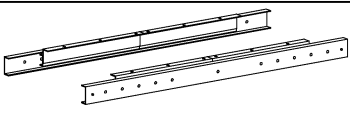

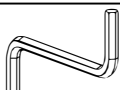


L		x2	M		x20
				7 x 50	

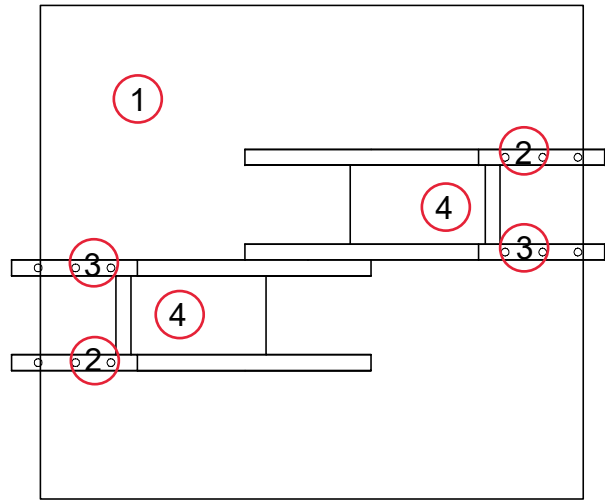
G		x10	H		x4
				4 x 15	x8

A		x12	B		x24
				8 x 30	

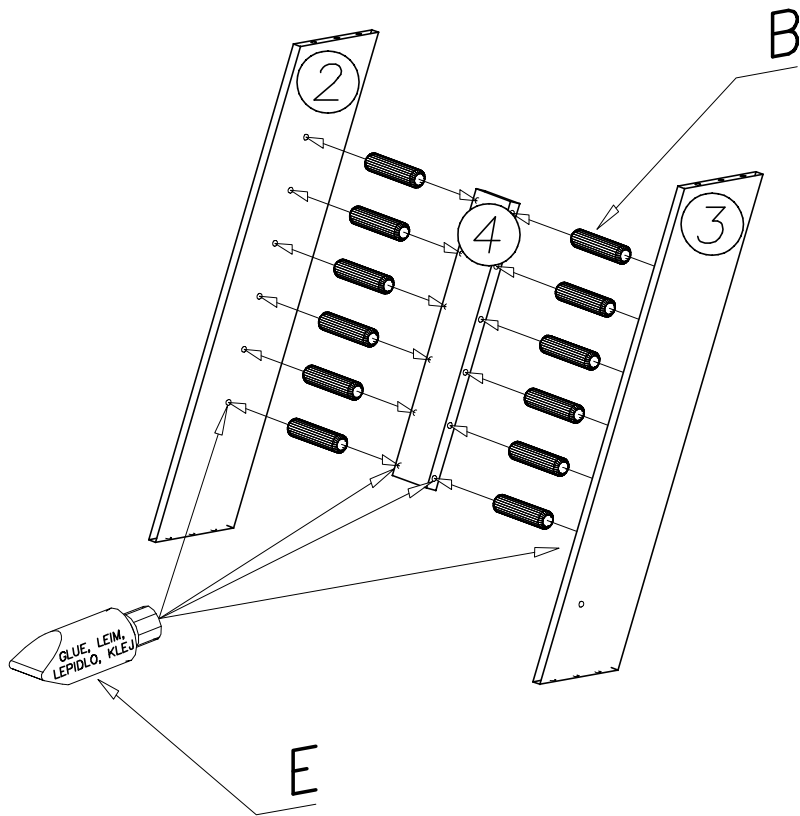
I		x8	J		x30
				6,3 x 13	
C		x4	D		x1

K		x1	E		x1
				GLUE, LEIM, LEPIDLO, LIM	
F		x1			

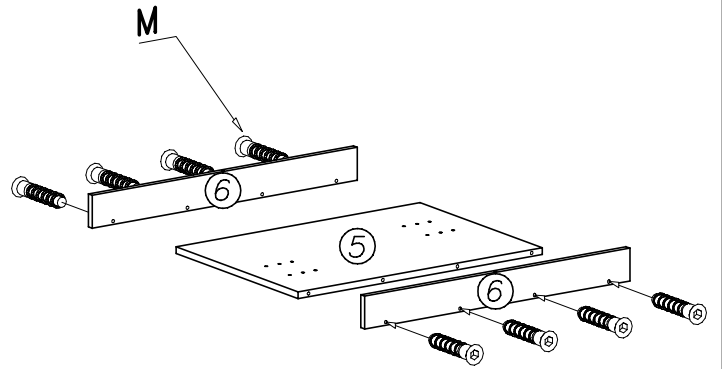
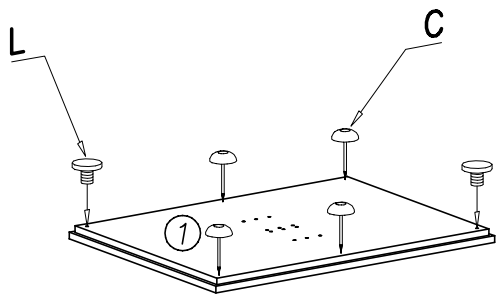
1



x2

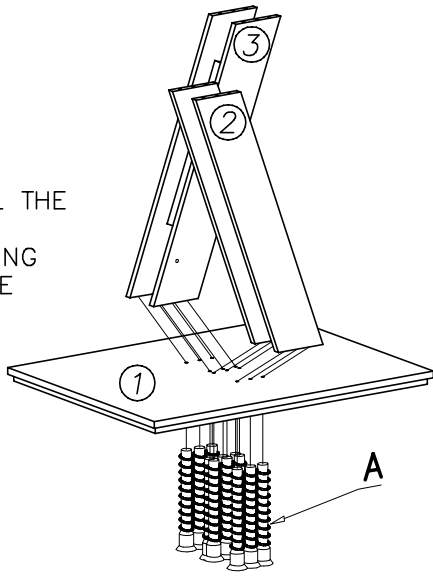


II



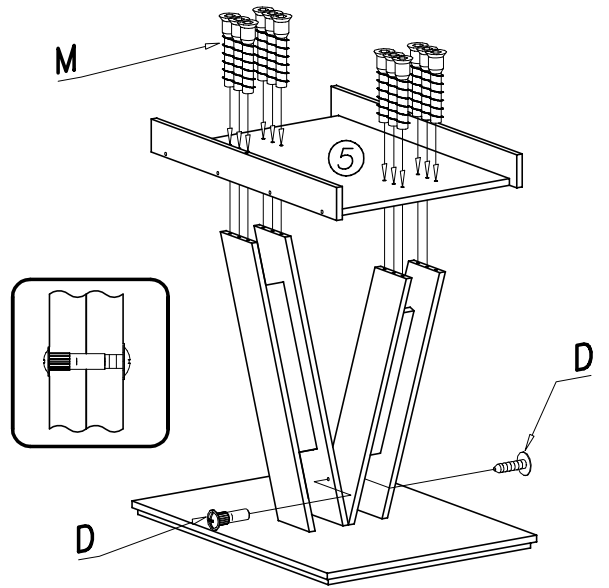
III

LOOSELY INSTALL THE
SCREWS AND
WASHERS SECURING
THE LEGS TO THE
TABLE BASE



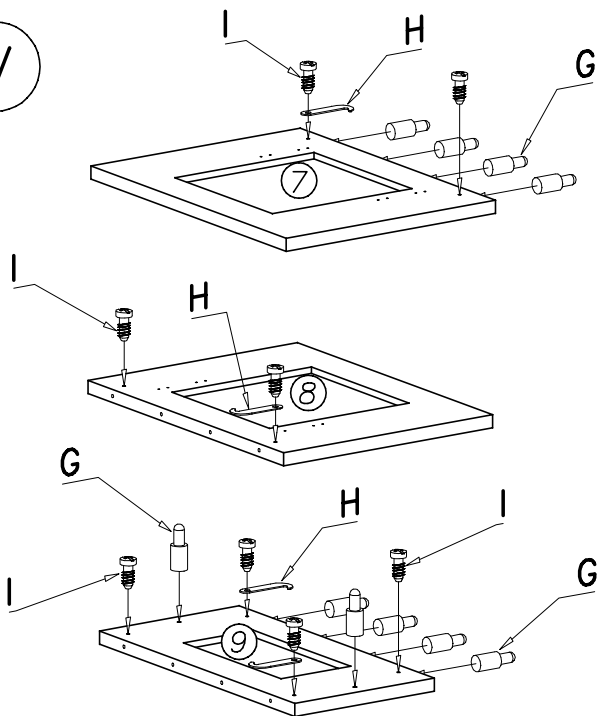
IV

LOOSELY INSTALL THE
SCREWS AND
WASHERS SECURING
THE LEGS TO THE
TABLE TOP

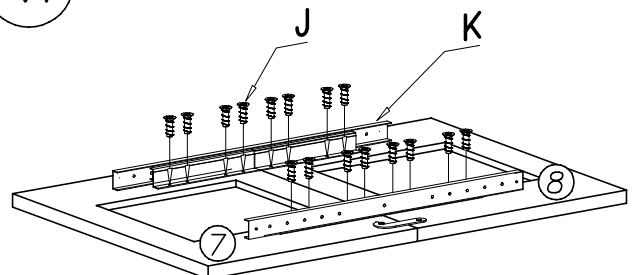


V

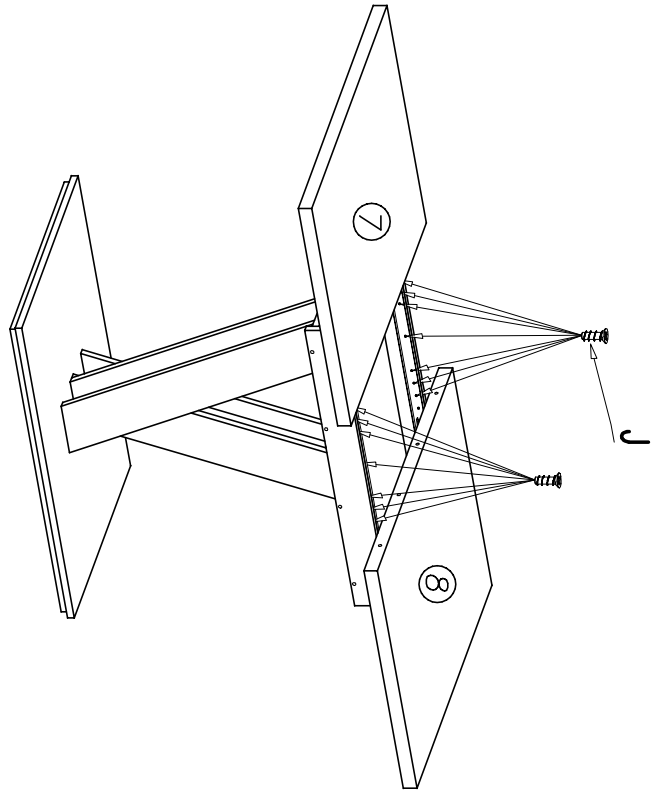
AFTER THIS STEP TIGHTEN ALL SCREWS



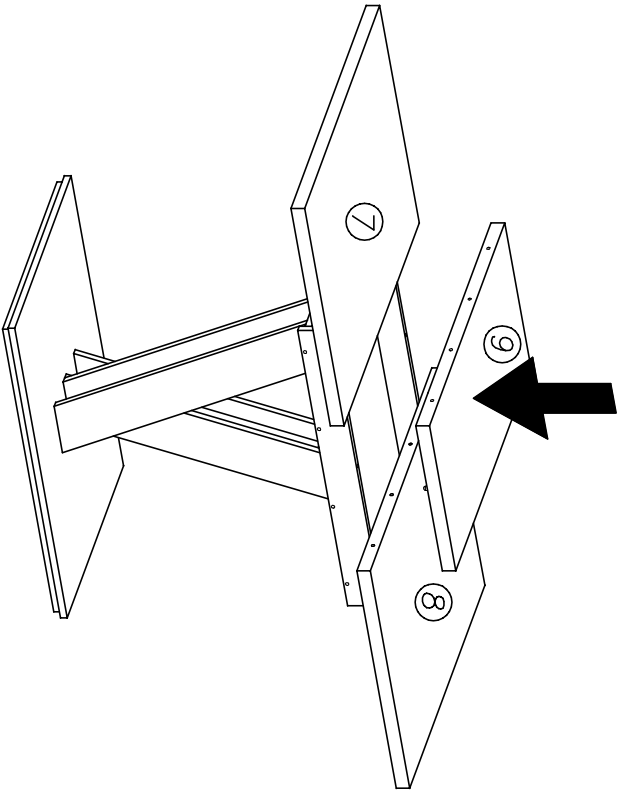
VI



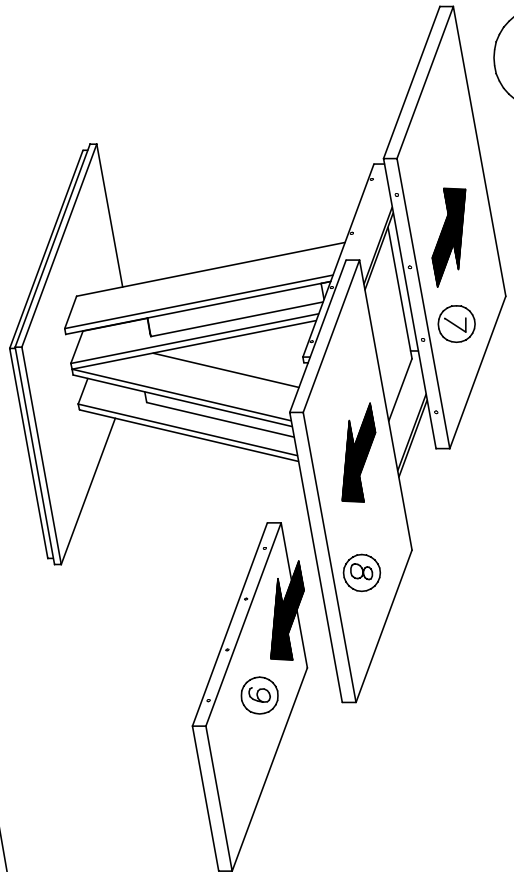
VII



IX



VIII



X

